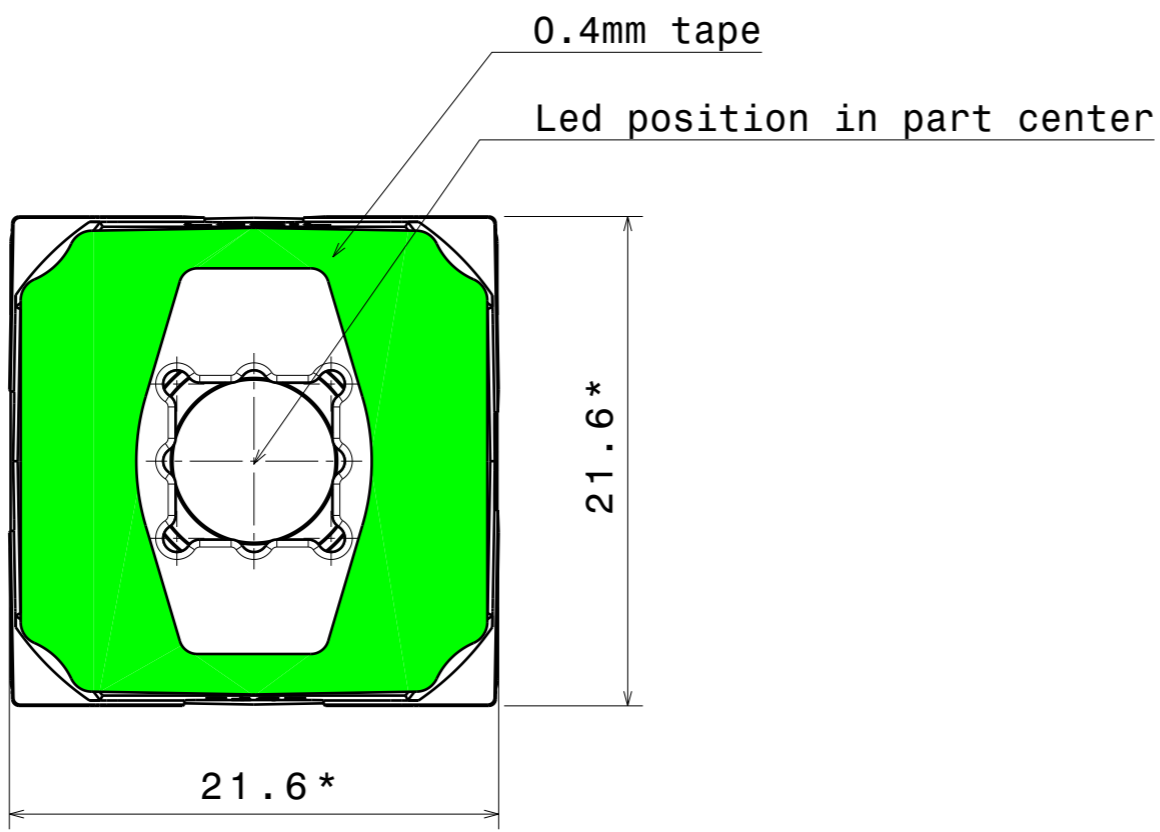
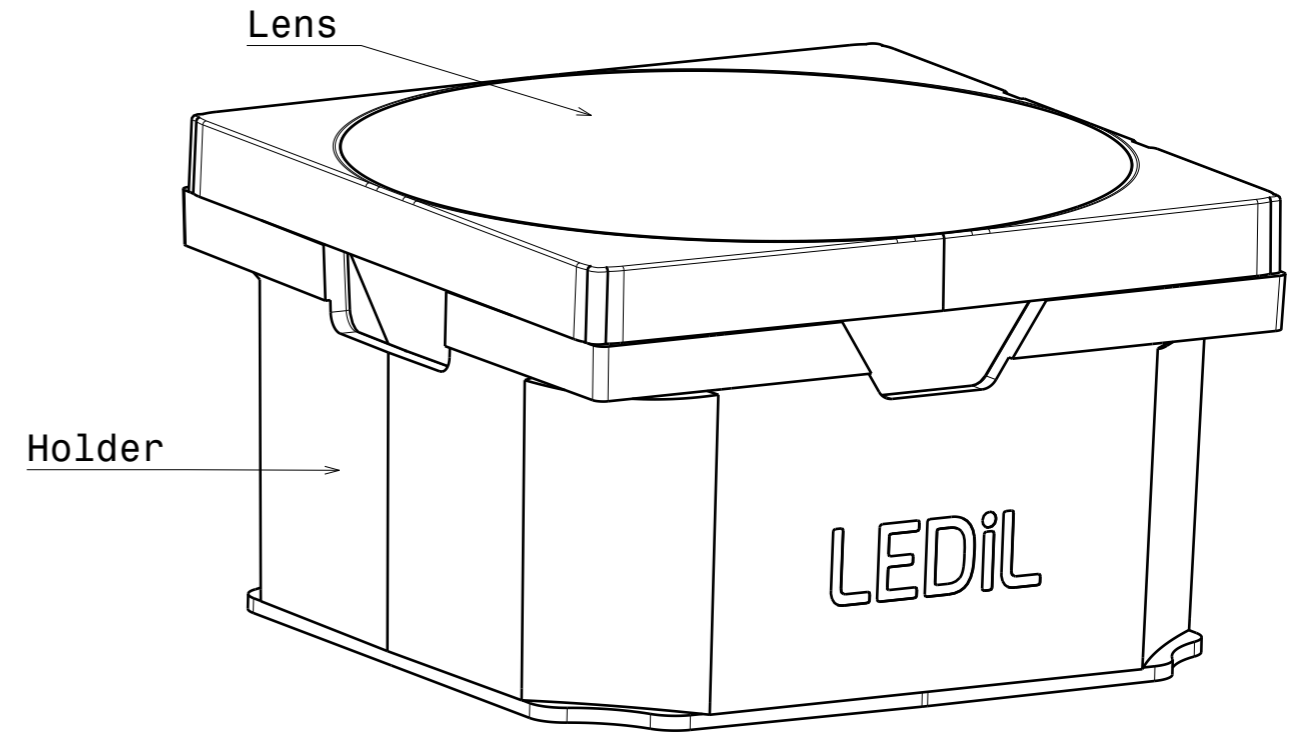
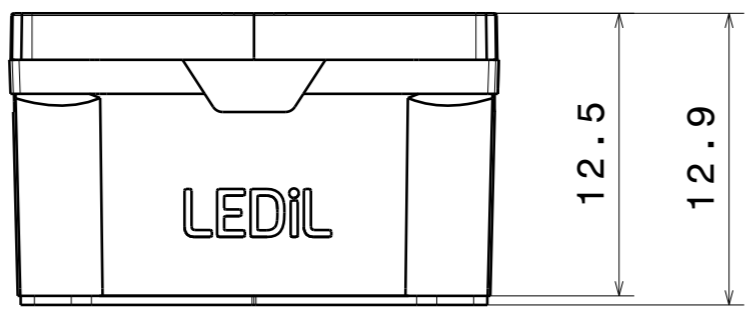


H G F E D C B A

Bottom view



Front view



Isometric view

*Local adhesive layer between lens and holder part ->
21.6mm tolerance according DIN ISO 2768-1 class C

INDEX	PART NO	DESCRIPTION	MATERIAL	COLOUR
1	FCA14011	G2-NIS033U-S	Lens optical grade silicon / Holder PC black / Tape PU 2-sided adhesive foam tape	Black

Tolerances if not otherwise shown
According to DIN ISO 2768-1
Linear measures:
Class M.
According to DIN ISO 2768-2
Form and position: class K

LEDiL Ledil Oy
Salorankatu 10
FIN 24240 SALO
Finland

THIRD ANGLE PROJECTION:

DRAWING TITLE
FCA14011_G2-NIS033U-S

This drawing is the property
of LEDiL Oy. It may not be
reproduced, copied or
communicated without a written
agreement with LEDiL Oy.

SIZE PART NUMBER
A3 FCA14011

SCALE 1:1 WEIGHT SHEET 1/1

H G B A