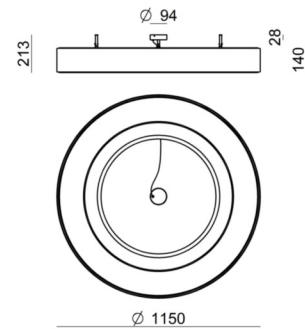




Deckenleuchten | 220-240 V | topLED 98 W 1550 mA | DALI | CRI 90
7651N



Technische Daten	
Installationsposition	Decke
Installationsumgebung	Indoor
Lichtquelle	LED
Optik	General Lighting
Light emission direction	downward and upward
Lampenleistung	98 W
Lichtstrom (Lichtquelle)	14566 lm
Frequency	60 - 50 Hz
Ähnlichste Farbtemperatur / Tonalität	4000 K
Farbwiedergabeindex	90 Ra
Isolierklasse	1
IP	IP40
Glühdrahtprüfung	650°
Direkte Montage auf normal entflammaren Oberflächen	Ja
CE	Ja
ETL	Nein
Einschließlich Driver	Ja
Leuchte dimmbar	DALI
Induzione	Nein
Notbeleuchtung	Nein
Motion sensor	Nein
Schwenkbarkeit	Nein
Drehbarkeit	Nein
Begehbarkeit	Nein
Überrollbarkeit	Nein
Einschließlich Kabel	Nein
Harzbeschichtung	Nein
Nettogewicht	18 Kg

Oberfläche Gehäuse

Material	Eisen
Farbe	Weiß geprägtem RAL 9003
Bearbeitungstyp	Lackierung

Oberfläche Diffusor

Material	PE
Farbe	neutral

Oberfläche Fassung

Material	Eisen
Farbe	Weiß geprägtem RAL 9003
Bearbeitungstyp	Lackierung



Deckenleuchten | 220-240 V | topLED 98 W 1550 mA | DALI | CRI 90
7651N

Double emission ceiling lights for indoor application. The warm white LED light source with a general lighting light distribution is composed of 126 topLED LEDs with CCT of 4000 K and a CRI 90; the source luminous flux is 14566 lm, with a 148.6 lm/W nominal luminous efficacy and an operating lifetime (L80) of 80000 hours.

The device body is made of iron and features a embossed white ral 9003 finish, processed by means of coating; the diffuser is made of pe; the mounting frame is made of iron, with a embossed white ral 9003 finish, processed by means of coating. The ingress protection degree is IP40; the total weight is of 18 kg. The power supply driver is included in the delivery.

The total absorbed power is 98 W.

The device features protection class I and can be ceiling-mounted.

Illuminotechnical Eigenschaften	
Lichtstrom (Lichtquelle)	14566 lm
Farbtemperatur	4000 K
Standard Deviation of Colour Matching	3 Step MacAdam
Farbwiedergabeindex	90 Ra
Life / Failure ratio	L80C0B20 80H