



## Model ELP10X1PS

Plug LED Driver Constant Current

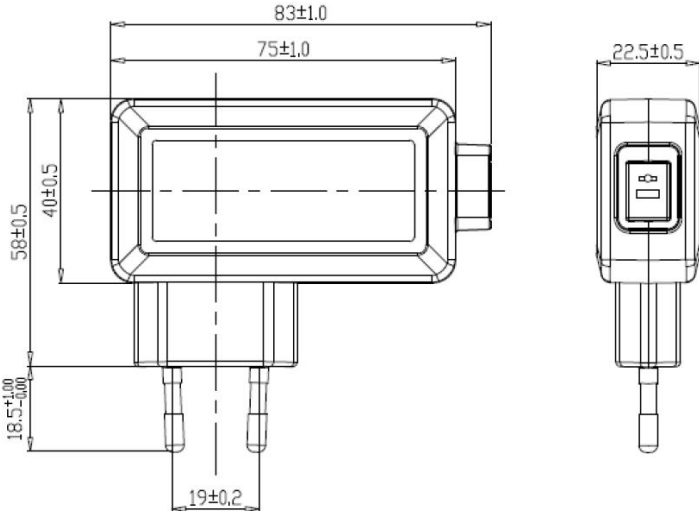
350mA const. / 18~36VDC / 6~12W / IP20



### I. Technical data

GENERAL	
Input voltage	100~240VAC
Input frequency	50/60Hz
Input current	0,08A Max.
Output voltage	18~36VDC
Output current	350mA const.
Load range	6~12W LED
Output connection	Pluggable cable connection; Cable length 0.1-2.0 meter allowed.
Power factor	≥0,7
Efficiency	≥78%
No load losses	<0.3W
Environment temperature	-5°C~+45°C
Surface temperature	75°C max.
Protection class	IP20
Lifetime	≥ 50000 hours (@ 25°C full load)
PROTECTION	
Isolation class	Class II, SELV
Short circuit protection	Resettable after fault removed
Over load protection	Resettable after fault removed
Over temperature protection	Resettable after temperature descending acc. IEC 61347-1 appendix C
Electric strength	IN-OUT / IN-FG: 3750VAC/5mA/1 min; OUT-FG: 500VAC/5mA/1 min;
Insulation resistor	≥ 4MΩ
STANDARD	
LVD	EN61347-1, EN61347-2-13, EN60598-1, EN60598-2-6
EMC	EN55015, EN61547, EN61000-3-2, EN61000-3-3
Approvals	CE, Intertek Semko
RoHS compatible	Yes

II. Dimension



Unit: mm